

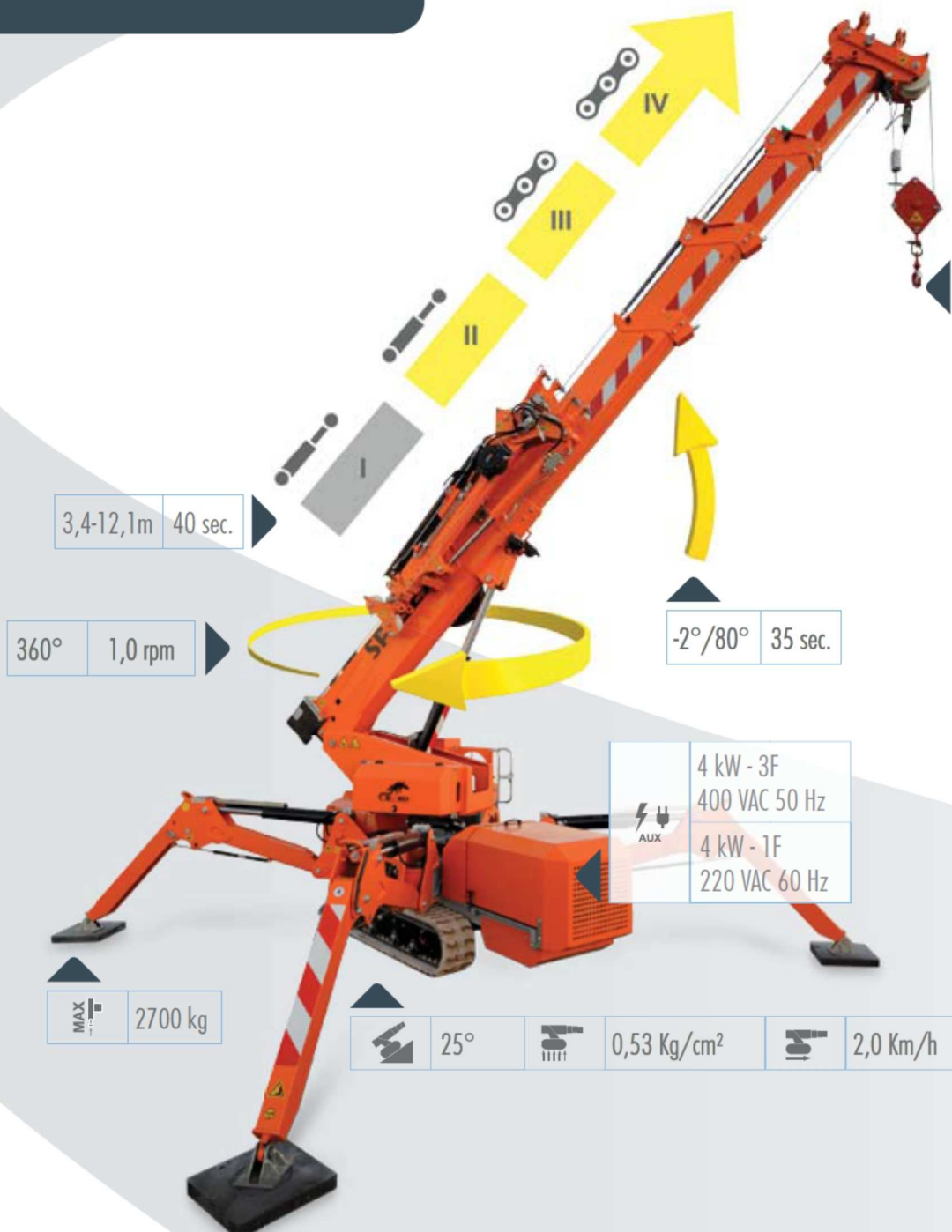


SPX527CDH

 LxWxH	4225 x 1100 x 1958 mm
	4469 x 4469 mm

		kg
	SPX527CDH	3600
	/	0
	3T-D8	30
	PP400-4D PP220-4D	110
	JIB800G	50
	JIB600.1M	100
	JIB600.1H	220
	MR800.4	295

SPX527CDH		ISUZU 3CB1		
		3	kW	18,7kW 25,0Hp



	2700 Kg
	11,0 m
	17,5 m

	900 kg	60 m - Ø 8 mm	30 m/min
	2700 Kg	3	↓ -20 m
	1800 Kg	2	↓ -32 m
	800 Kg	1	↓ -65 m

3,4-12,1m 40 sec.

360° 1,0 rpm

-2°/80° 35 sec.

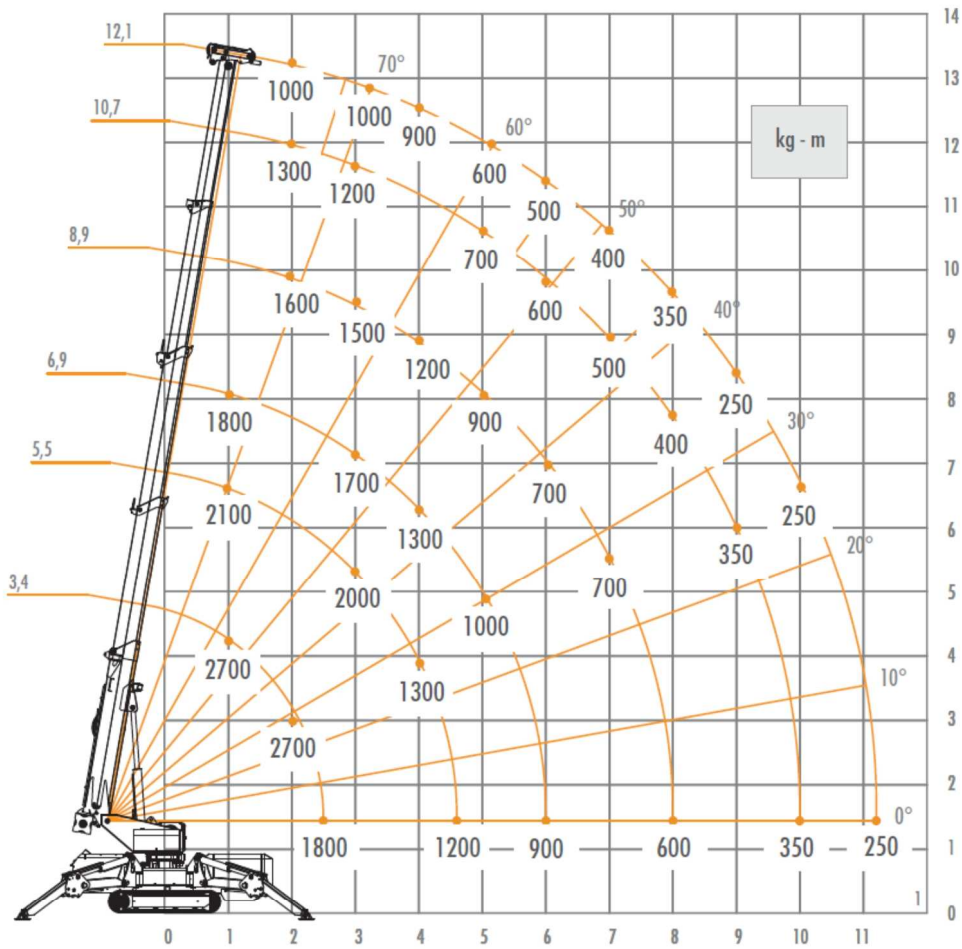
4 kW - 3F
400 VAC 50 Hz
4 kW - 1F
220 VAC 60 Hz

MAX 2700 kg

25° 0,53 Kg/cm² 2,0 Km/h



- DTC**
- LMI** **P&C**
- CCI** **VW**
- GSC** **2WR**
- A2B** **TH**



JIB800.G | **JIB600.1M** | **JIB600.2H** | **MR800.4**

MAX	800 Kg	MAX	600 Kg	MAX	600 Kg	MAX	800 Kg
	14,5 m		17,0 m		17,5 m		12,1 m
	10,0 m		11,0 m		10,5 m		9,0 m
	800 kg		600 kg		600 kg		500 kg
	250 kg		150 kg		190 kg		250 kg